

Oklahoma State Bureau of Investigation

Management of Information Systems



Livescan Interface Specifications Document Version 2.06

June 07, 2022

Table of Revisions

Release Date	Version ID	Notes, Comments, and References
August 2, 2000	Draft 1.0	Draft Release
August 4, 2000	Draft 1.1	Added Section 3.9
August 29, 2000	Draft 2.0	Added LVA transaction and LV, LVJ flow diagrams. Also added section 3.6 Email Transfer Protocol.
August 30, 2000	Draft 2.1	Added Fingerprint, Palm Print, and Mug Shot Image Transmission sections.
September 13, 2000	Version 1.0	Deleted Generic Workflow Section
October 1, 2000	Version 1.0	Reformatted the Document
January 28, 2003	Version 1.1	Added Type 15 logical record layout. Added reference to mugshot interface in Section 3.6.
February 21, 2003	Version 1.11	Modified Palm Print Form.
May 20, 2013	Version 1.12	Add Palm & Mug Shot Required description in Criminal Transaction (LV and LVJ) Submission.
June 12, 2018	Version 2	Data Format for the Interchange of Fingerprint, Facial & Other Biometric Information ANSI/NIST-ITL 1-2011 NIST Special Publication 500-290 Edition 3 (Section 1.3)
June 12, 2018	Version 2	Upper and Lower Palm Prints Requirement (Section 3.5 Palm Prints Image Transmission)
June 12, 2018	Version 2	LVCW OSBI Handgun License Workflow (Section 4.4)
June 12, 2018	Version 2	LVN Transaction (Criminal Non-Reportable Offense) Livescan System WILL NOT ALLOW user to send this transaction at any time to OSBI (Section 4.5)
June 12, 2018	Version 2	New Upper and Lower Palm Print Form (Section 5.5 & 5.6)
June 12, 2018	Version 2	Mugshot – NIST Type 10 (Section 6)
June 21, 2018	Version 2	Palm Print Form (Section 5.5 and 5.6)
July 22, 2018	Version 2.02	Update Section 5, Filing and Disposition Form
Aug 30, 2018	Version 2.03	Remove FBI Criminal Printout Form (Section 5 Card Type)
Aug 30, 2018	Version 2.03	Remove OTN Requirement from Non-Reportable Criminal (Section 4.5 LVN Transaction)
Dec 17, 2018	Version 2.04	Fingerprint 1000 ppi. Type 14 Format JPEG2000 (Section 3.4 Fingerprint Image Transmission)
Mar 30, 2022	Version 2.05	Remove 1000 ppi option Added Criminal Inquiry Workflow (LVN) Changed Criminal Non-Reportable to LVNR
June 07, 2022	Version 2.06	Set Criminal Inquiry Workflow (LVN) to be reported to OSBI workflow

Table of Contents

- 1.0 Introduction 5
 - 1.1 Scope 5
 - 1.2 Purpose 5
 - 1.3 References 5

- 2.0 Description of Operational Concepts..... 6

- 3.0 Specifications 6
 - 3.1 FBI Certified Livescan 6
 - 3.2 Information Captured 6
 - 3.3 Descriptor Data 6
 - 3.4 Fingerprint Image Quality Transmission 6
 - 3.5 Palm Print Image Transmission..... 6
 - Table 1..... 7
 - 3.6 Mug Shot Image Transmission..... 7
 - 3.7 Data Transfer Protocol 7
 - 3.8 Email Transfer Protocol..... 7
 - 3.9 Valid Email Account 8
 - 3.10 Fingerprint Image Compression/Decompression 8
 - 3.11 FBI Certified Printer 8
 - 3.12 Rolls to Flats Comparison..... 8
 - 3.13 Fingerprint Processing 8
 - 3.14 Printable Card Types 8
 - 3.15 OSBI OTN Check Digit Algorithm..... 8

- 4.0 Types of Transactions 10
 - Table 2..... 10
 - Table 3..... 10
 - 4.1 LV Transaction (Criminal Adult) 11
 - 4.2 LVJ Transaction (Criminal Juvenile)..... 12
 - 4.3 LVA Transaction (Police Applicant) 13
 - 4.4 LVCW Transaction (OSBI Handgun License)..... 14
 - 4.5 LVN Transaction (Criminal Inquiry) 15
 - 4.6 LVNR Transaction (Criminal Non-Reportable Offense) 16
 - 4.7 LVC Transaction (Civilian Applicant) 17

- 5.0 Card Types..... 18
 - 5.1 Oklahoma Criminal Fingerprint Card Front 18
 - 5.2 Oklahoma Criminal Fingerprint Card Back..... 19
 - 5.3 Oklahoma Filing Report Form 20
 - 5.4 Oklahoma Disposition Report Form 21
 - 5.5 Oklahoma Right Palm Print Form 22

5.6 Oklahoma Left Palm Print Form.....	23
5.7 FBI Applicant Fingerprint Card Front	24
5.8 OSBI Hit, No-Hit Response Form	25
6.0 Mugshot – NIST Type 10	26
7.0 Glossary of Terms.....	26
8.0 OSBI Technical Contact Information	26

List of Tables

Table 1 – Palm Information	7
Table 2 – Type of Transaction (Submitted to OSBI).....	10
Table 3 – Type of Transaction (Not submitted to OSBI)	11

List of Diagrams

Diagram 1 (LV Criminal Adult).....	11
Diagram 2 (LVJ Criminal Juvenile)	12
Diagram 3 (LVA Police Applicant)	13
Diagram 4 (LVCW OSBI Handgun License)	14
Diagram 5 (LVN Criminal Inquiry)	15
Diagram 6 (LVNR Criminal Non-Reportable Offense)	16
Diagram 7 (LVC Civilian Applicant).....	17

1.0 Introduction

This section provides the scope, purpose, background, and reference for the Oklahoma State Bureau of Investigation's (OSBI) Livescan interface.

1.1 Scope

This document is the only document that defines the interface described herein. This document, once approved, shall be the defining control document and shall not be changed or modified without the express written consent of the OSBI, and notated in this document. **This document is to be used for law enforcement applications only.**

1.2 Purpose

This document defines the interface specifications for a Livescan device that may be produced by any Livescan vendor today. However, the agency **MUST** purchase an OSBI Certified Livescan so that it will be fully integrated to the OSBI AFIS.

1.3 References

OSBI Type-2 Record Specifications Version 4.02,
Revised June 14, 2018 [https://www.ok.gov/osbi/Law Enforcement Programs/AFIS/](https://www.ok.gov/osbi/Law%20Enforcement%20Programs/AFIS/)

OSBI Mug shot Interface Specifications Version 4.0,
Revised March 24, 2022 [https://www.ok.gov/osbi/Law Enforcement Programs/AFIS/](https://www.ok.gov/osbi/Law%20Enforcement%20Programs/AFIS/)

WSQ Gray-scale Fingerprint Image Compression Specification
October 4, 2010, IAFIS-IC-0110 (V3.1)

Data Format for the Interchange of Fingerprint, Facial & Other Biometric Information ANSI/NIST-ITL 1-2011 NIST Special Publication 500-290 Edition 3 (Updated 2015)

Simple Mail Transfer Protocol (SMTP),
August 1, 1982, RFC 821 (Requests for Comments – Proposed Standard)

Federal Bureau of Investigation (FBI), Criminal Justice Information Services (CJIS),
Electronic Fingerprint Transmission Specification (EBTS)
July 2, 2013, NGI-DOC-01078-10.0
Updated 10.0.8 September 30, 2017

2.0 Description of Operational Concepts

The OSBI AFIS will be connected to the Internet in order to enable agencies with a NIST compliant Livescan and an Internet connection to submit NIST data to the OSBI.

3.0 Specifications

This section defines the specifications for the submitting Livescan.

3.1 FBI Certified Livescan

The Livescan system must be FBI/IQS (Appendix G) certified.

3.2 Information Captured

The Livescan device must be capable of capturing rolled impressions, plain impressions, upper and lower palm prints and mug shots.

3.3 Descriptor Data

All descriptor data must be formatted according to the OSBI Type-2 Record Specifications before being submitted from the Livescan to the OSBI.

OSBI Type-2 Record [https://www.ok.gov/osbi/Law Enforcement Programs/AFIS/](https://www.ok.gov/osbi/Law%20Enforcement%20Programs/AFIS/)

3.4 Fingerprint Image Quality Transmission

All Fingerprint images transmitted from the Livescan must be NIST Type 4 (500 ppi) grayscale records as described in the ANSI/NIST-ITL 1-2011 NIST Special Publication 500-290 Edition 3.

Type 14 – Reference ANSI/NIST-ITL 1-2011 NIST Special Publication 500-290 page 68.

3.5 Palm Print Image Transmission

All Palm Print images transmitted from the Livescan must be NIST Type 15 variable-resolution Palm Print image records as described in the ANSI/NIST-ITL 1-2011 NIST Special Publication 500-290 Edition 3.

Upper and Lower Palm Print Images are required for Criminal Adult & Criminal Juvenile Submissions. The livescan shall capture and submit both upper and lower palm prints. Refer to NGI National Palm Print System (NPPS)

Table 1 describes the mandatory OSBI Type 15 logical record layout. For a complete description of these Type 15 fields and edits see Section 22 of the ANSI/NIST-ITL 1-2011 NIST Special Publication 500-290 Edition 3. **No Type 15 Palm Print images can be sent to the OSBI without also sending descriptor Type 2 and ten print Type 4 records.**

Table 1 – Palm Information

Ident	Cond Code	Field Number	Field Name	Char Type	Field Size per Occurrence		Occurrence Count	
					Min	Max	Min	Max
LEN	M	15.001	LOGICAL RECORD LENGTH	N	4	8	1	1
IDC	M	15.002	IMAGE DESIGNATION CHARACTER	N	2	5	1	1
IMP	M	15.003	IMPRESSION TYPE	A	2	2	1	1
SRC	M	15.004	SOURCE AGENCY / ORI	AN	10	21	1	1
PCD	M	15.005	PALMPRINT CAPTURE DATE	N	9	9	1	1
HLL	M	15.006	HORIZONTAL LINE LENGTH	N	4	5	1	1
VLL	M	15.007	VERTICAL LINE LENGTH	N	4	5	1	1
SLC	M	15.008	SCALE UNITS	N	2	2	1	1
HPS	M	15.009	HORIZONTAL PIXEL SCALE	N	3	5	1	1
VPS	M	15.010	VERTICAL PIXEL SCALE	N	3	5	1	1
CGA	M	15.011	COMPRESSION ALGORITHM	A	5	7	1	1
BPX	M	15.012	BITS PER PIXEL	N	2	3	1	1
FGP	M	15.013	FINGER POSITION	N	2	3	1	6
DAT	M	15.999	IMAGE DATA	B	2	--	1	1

KEY FOR CHARACTER TYPE: N=NUMERIC; A=ALPHABETIC; AN=ALPAHNUMERIC; B=BINARY

3.6 Mug Shot Image Transmission

All Mug Shot and SMT (scars, marks, and tattoos) images transmitted from the Livescan must be NIST Type 10 facial & SMT image records as described in the ANSI/NIST-ITL 1-2011 NIST Special Publication 500-290 Edition 3. See the OSBI Mug Shot Interface Specifications for the complete description of mug shot requirements. **See section 1.3**

Mug Shot Images are required for all Criminal Adult & Criminal Juvenile Submissions.

3.7 Data Transfer Protocol

TCP/IP will be the protocol used for all file transfers, and network communications between the Livescan and the OSBI.

3.8 Email Transfer Protocol

SMTP (Simple Mail Transfer Protocol) will be the protocol used for all email exchanges between the Livescan and the OSBI.

3.9 Valid Email Account

In order to exchange email messages between the Livescan and the OSBI, a valid email account will be created by the OSBI and provided to the vendor.

3.10 Fingerprint Image Compression/Decompression

The Wavelet Scalar Quantization (WSQ) compression/decompression algorithm will be used for all gray-scale Fingerprint images transferred to and from the OSBI. For information regarding the WSQ algorithm refer to the Wavelet Scalar Quantization Grayscale Fingerprint Image Compression Specification, **refer to section 1.3 References.**

3.11 FBI Certified Printer

The Livescan printer must contain two card trays, print double-sided and be FBI/IQS (Appendix F) certified.

3.12 Rolls to Flats Comparison

In order to ensure correct placement of fingers, the Livescan must be able to compare rolled impressions to flat impressions. **This comparison must be minutiae-based.**

3.13 Fingerprint Processing

It is desired that the Livescan be able to perform image enhancements, extract minutiae and thinned images, and classify Fingerprint patterns before submitting data to the OSBI.

3.14 Printable Card Types

Due to the different types of cards that are submitted to different agencies, the Livescan must be capable of printing 5 different cards types. The card types are as follows: FBI Applicant, Oklahoma State Criminal, Oklahoma State Palm Print, Oklahoma State Filing Report Form, and Oklahoma State Disposition Report Form. Some cards / forms are required to be automatically printed once booking is completed. For further information on card types refer to Section 5.0.

3.15 OSBI OTN Check Digit Algorithm

The OSBI OTN is a 10-byte field, the first 9 bytes are numeric and the 10th is an alphabetic suffix used for calculating the check digit.

An edit should check for the first 9 bytes to be numeric, leading zeros could be added if less than 9 bytes are entered for this part of the field.

The following letters are used as suffixes and their corresponding position numbers.

Z	J	K	L	M	N	Y	P	Q	R	H
1	2	3	4	5	6	7	8	9	10	11

It is calculated as follows:

Constant	$w = 512$	$x = 1, 2, \dots, 9$
Position number	$= P_x$	$n = 0, 1, \dots, 8$
	$X = 9$	
	$n = 8$	

Formula:	$f = [\sum (w/2^n * A_x)] \text{ MOD } 11$
	$X = 1$
	$n = 0$
	$P_x = 11 - f$

Then pick the corresponding suffix based on the calculated value of P_x . It should match the OTN number entered; otherwise it is an error condition.

For example: OTN = 0 0 0 8 1 1 5 4 7 P

Digits 0 thru 7 above correspond with A1 thru A9

According to the formula:

$$f = [(512 * 0) + (256 * 0) + (128 * 0) + (64 * 8) + (32 * 1) + (16 * 1) + (8 * 5) + (4 * 4) + (2 * 7)] \text{ MOD } 11$$

$$f = 630 \text{ MOD } 11 = 3$$

$$P_x = 11 - 3 = 8$$

The letter corresponding to 8 is P, this matches the one entered, therefore it is a correct entry.

4.0 Types of Transactions

This section describes the types of transactions that must be available on a Livescan device. The particular type of transaction is identified in the Type Of Transaction (TOT) Field in the Type-1 record that is used with each transaction. For further information about a Type-1 record refer to the American National Standards Institute (ANSI), Data Format for the Interchange of Fingerprint Information, ANSI/NIST-ITL 1-2011 NIST Special Publication 500-290 Edition 3. Table 2 lists the types of transactions that are accepted by the OSBI. Table 3 lists the types of transactions that are not accepted by the OSBI.

Table 2 – Type of Transactions (Submitted to OSBI)

Type Of Transaction	Description
4.1 LV	Criminal Adult
4.2 LVJ	Criminal Juvenile
4.3 LVA	Civil Police Applicant/Criminal Justice Employment
4.4 LVCW	OSBI Handgun License
4.5 LVN	Criminal Inquiry

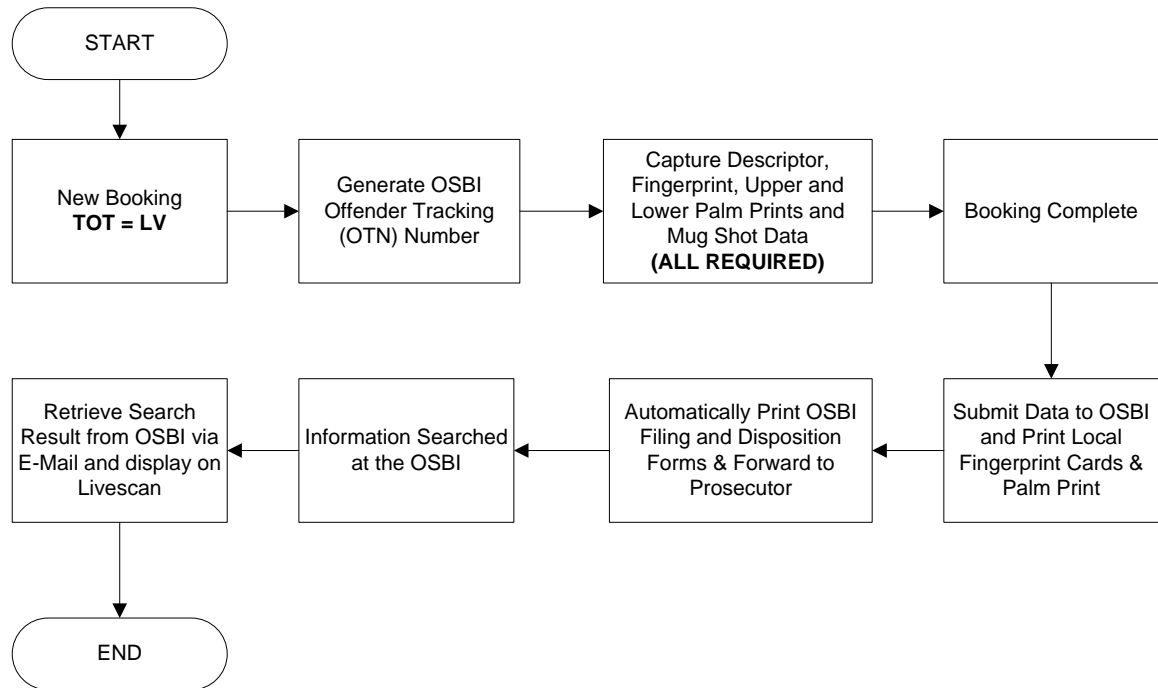
Table 3 – Type of Transactions (Not submitted to OSBI)

Type Of Transaction	Description
4.6 LVNR	Criminal Non-Reportable Offense
4.7 LVC	Civilian Applicant

4.1 LV Transaction (Criminal Adult)

LV transaction type will be used when booking a criminal over 18 years of age.

Diagram 1



LV Data Flow Narrative

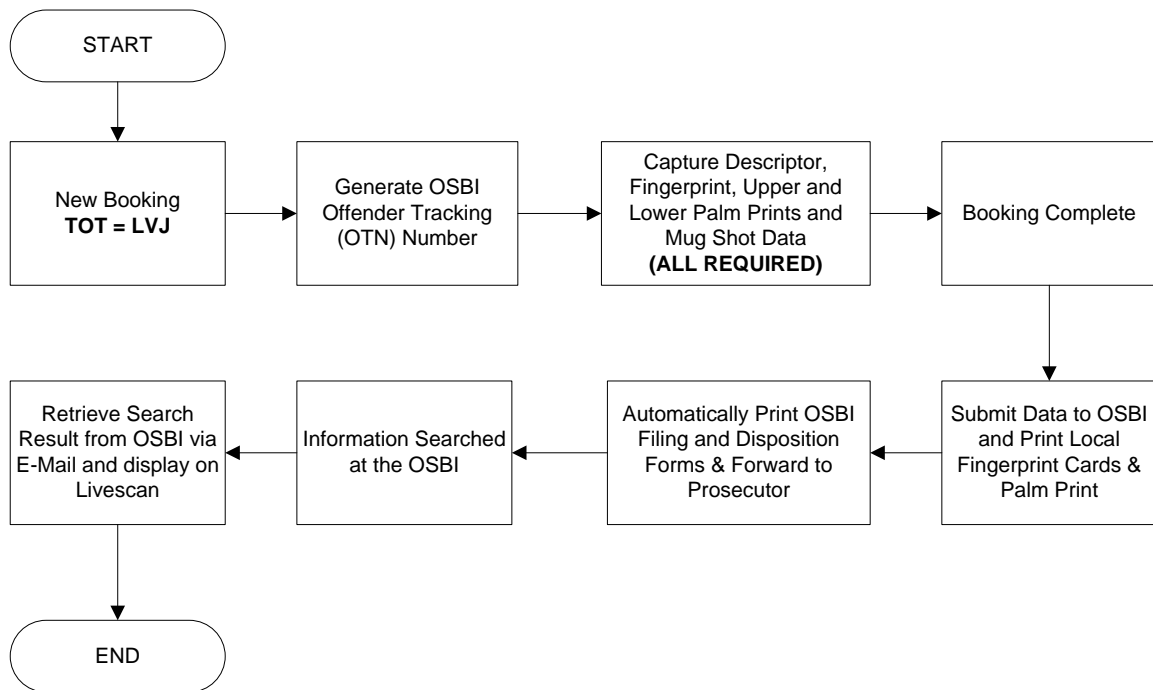
- The TOT for this transaction = LV
- As soon as the Livescan operator starts a new booking the Livescan must generate a valid Offender Tracking Number (OTN) using the OSBI OTN check digit algorithm as described in **OSBI OTN Requirement Section 3.15**.
- After the OTN number is generated, the Descriptor data, Fingerprints, Upper and Lower Palm Prints, and Mug Shots are required for submission.
- Once the data is captured and the booking is complete, the Livescan will transmit the NIST record electronically to the OSBI.
- Local printing of Fingerprint and Palm Print cards will also take place at this point.
- **Filing and Disposition Forms MUST BE automatically printed once booking is completed.**
- At this point, the information will be searched at the OSBI and OSBI AFIS Search Results will be e-mailed back to a dedicated mailbox assigned to each livescan.

- The Livescan MUST retrieve the search result via E-Mail and display result of a “Hit”, “No-Hit” or “In-Progress” Response on the Livescan.
- If the search produces a Hit Response, the email will contain the SID number. The livescan shall have a capability to print out the OSBI Hit / No-Hit Response Form, refer to Section 5.10 OSBI Hit / No-Hit Response Form.

4.2 LVJ Transaction (Criminal Juvenile)

LVJ transaction type will be used when booking a criminal under 18 years of age.

Diagram 2



LVJ Data Flow Narrative

- The TOT for this transaction = LVJ
- As soon as the Livescan operator starts a new booking the Livescan must generate a valid Offender Tracking Number (OTN) using the OSBI OTN check digit algorithm as described in **OSBI OTN Requirement Section 3.15**.
- After the OTN number is generated, the Descriptor data, Fingerprints, Upper and Lower Palm Prints, and Mug Shots are required for submission.
- Once the data is captured and the booking is complete, the Livescan will transmit the NIST record electronically to the OSBI.

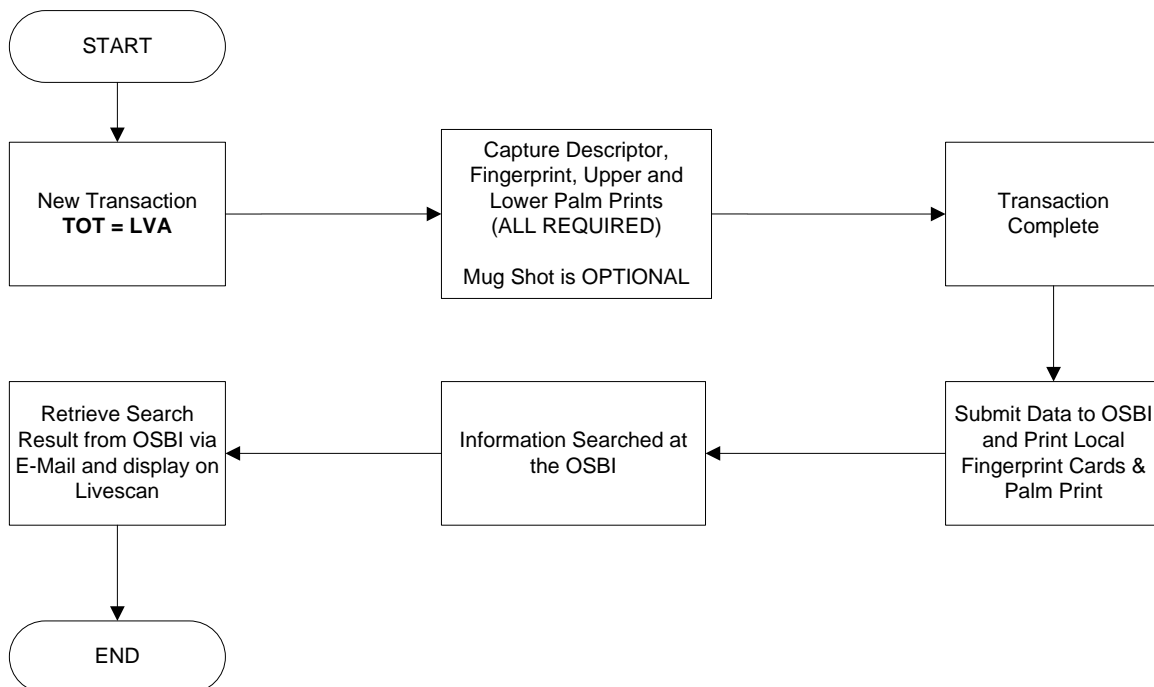
- Local printing of Fingerprint and Palm Print cards will also take place at this point.
- **Filing and Disposition Forms MUST BE automatically printed once booking is completed.**
- At this point, the information will be searched at the OSBI and OSBI AFIS Search Results will be e-mailed back to a dedicated mailbox assigned to each livescan.
- The Livescan MUST retrieve the search result via E-Mail and display result of a “Hit”, “No-Hit” or “In-Progress” Response on the Livescan.
- If the search produces a Hit Response, the email will contain the SID number. The livescan shall have a capability to print out the OSBI Hit / No-Hit Response Form, refer to Section 5.10 OSBI Hit / No-Hit Response Form.

4.3 LVA Transaction (Police Applicant)

LVA transaction type will be used when processing police applicants or personnel at the local agency or for other law enforcement agencies.

Do not use an OTN from the OSBI provided OTN block for this TOT.

Diagram 3



LVA Data Flow Narrative

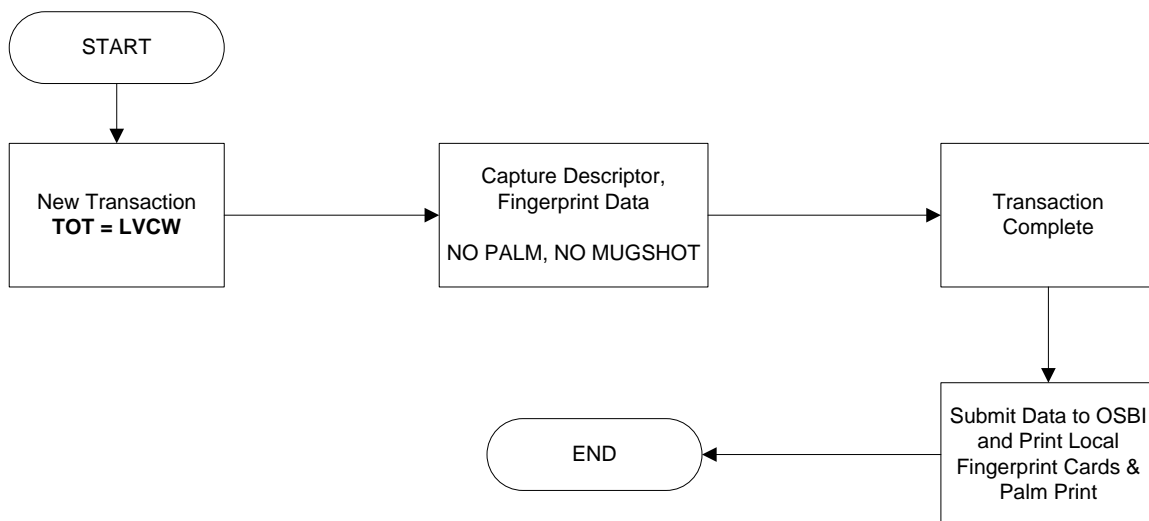
- The TOT for this transaction = LVA
- Descriptor, Fingerprint, Upper and Lower Palm Prints are required and will be captured at this point.
- Mug Shot is not applicable.
- Once the data is captured the transaction is complete and all data is transmitted electronically to the OSBI. Local printing of Fingerprint and Upper and Lower Palm Prints cards will also take place at this point.
- At this point, the information will be searched at the OSBI and OSBI AFIS Search Results will be e-mailed back to a dedicated mailbox assigned to each livescan.
- The Livescan MUST retrieve the search result via E-Mail and display result of a “Hit”, “No-Hit” or “In-Progress” Response on the Livescan.
- If the search produces a Hit Response, the email will contain the SID number. The livescan shall have a capability to print out the OSBI Hit / No-Hit Response Form, refer to Section 5.10 OSBI Hit / No-Hit Response Form.

4.4 LVCW Transaction (OSBI Handgun License)

LVCW transaction type will be used when processing OSBI Handgun License applicants.

Do not use an OTN from the OSBI provided OTN block for this TOT.

Diagram 4



LVCW Data Flow Narrative

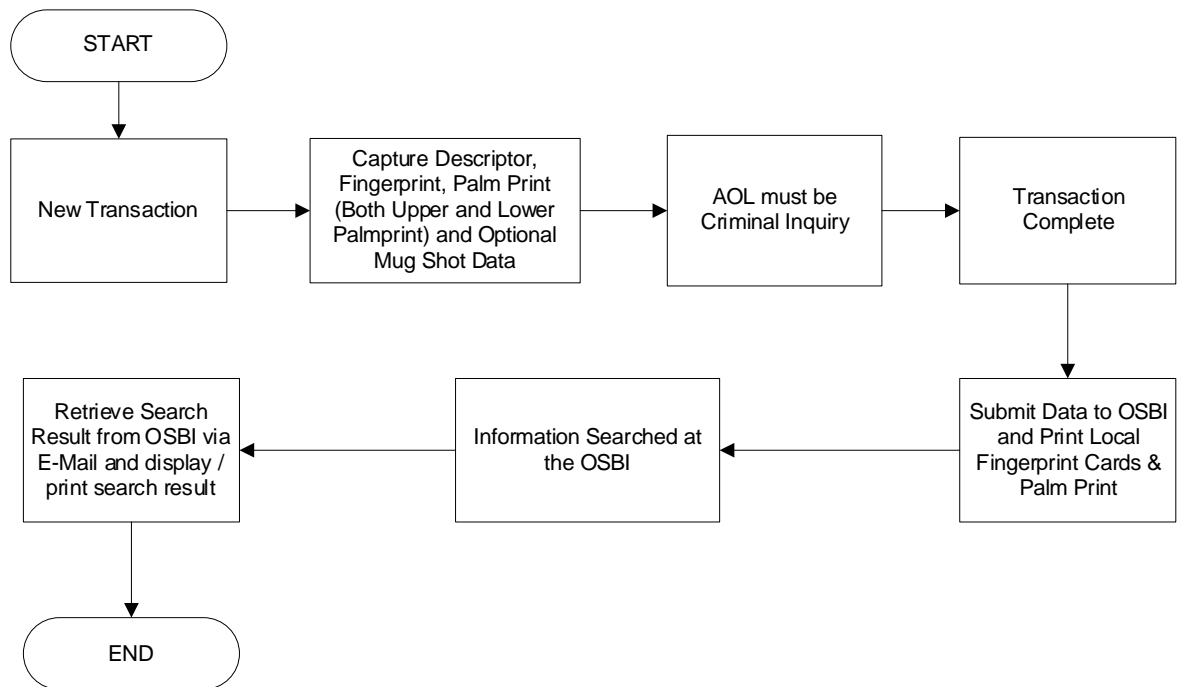
- The TOT for this transaction = LVCW
- Do not use an OTN from the OSBI provided OTN block for this TOT.
- Descriptor and Fingerprint data is required and will be captured at this point.
- Palm Prints and Mug Shots are NOT applicable.
- Once the Descriptors and Fingerprints are captured the transaction is complete and all data is transmitted electronically to the OSBI.

4.5 LVN Transaction (Criminal Inquiry)

LVN transaction type will be used when processing Criminal Inquiry.

This transaction will NOT need to have the OTN number.

Diagram 5



LVN Data Flow Narrative

- The TOT for this transaction = LVN
- The AOL (Arrest Offense Literal) must be = **Criminal Inquiry**

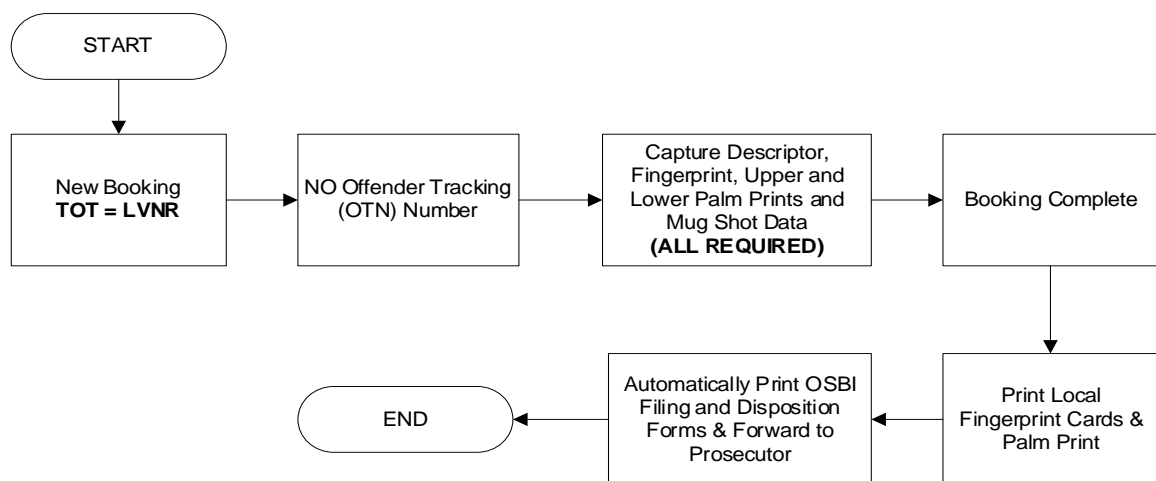
- NO OTN is needed.
- Once the data is captured and the booking is complete, the Livescan will transmit the NIST record electronically to the OSBI.
- At this point, the information will be searched at the OSBI and OSBI AFIS Search Results will be e-mailed back to a dedicated mailbox assigned to each livescan.
- The Livescan MUST retrieve the search result via E-Mail and display result of a “Hit”, “No-Hit” or “In-Progress” Response on the Livescan.
- If the search produces a Hit Response, the email will contain the SID number. The livescan shall have a capability to print out the OSBI Hit / No-Hit Response Form, refer to Section 5.10 OSBI Hit / No-Hit Response Form.

4.6 LVNR Transaction (Criminal Non-Reportable Offense)

LVN transaction type will be used when booking a criminal who has been arrested for non-reportable offense.

- No OTN for this TOT.
- This transaction WILL NOT BE AUTOMATICALLY SENT to the OSBI and the system shall not allow the user to send the transaction manually at any time to the OSBI.

Diagram 6



LVNR Data Flow Narrative

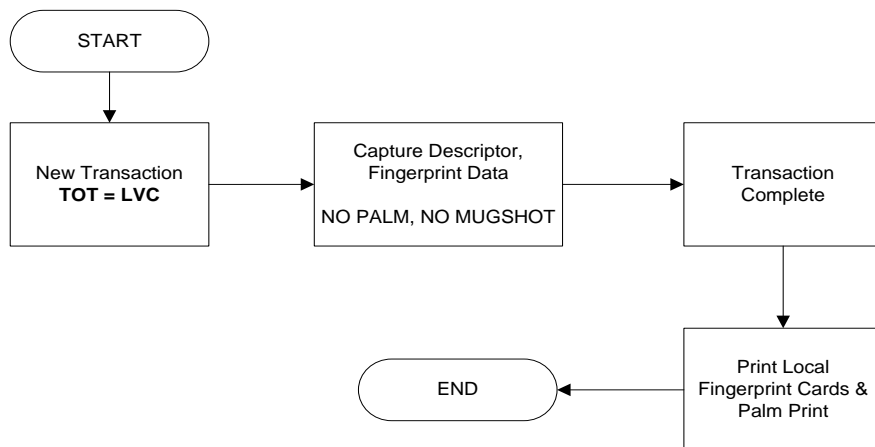
- The TOT for this transaction = LVNR
- NO OTN this TOT.
- The Descriptor data, Fingerprints, Upper and Lower Palm Prints, and Mug Shots are required.
- Once the data is captured, the transaction is complete, local printing of Fingerprint and Palm Print cards will take place at this point.
- **Filing and Disposition Forms MUST BE automatically printed once booking is completed.**
- At the end of the booking, the system shall not allow the user to send the transaction manually at any time.

4.7 LVC Transaction (Civilian Applicant)

LVC transaction type will be used to capture a fingerprint for civilian applicant.

- Do not use an OTN from the OSBI provided OTN block for this TOT.
- This transaction WILL NOT BE SUBMITTED to OSBI at the end of the transaction and the system shall not allow the user to send the transaction manually at any time.

Diagram 7



LVC Data Flow Narrative

- The Descriptor and Fingerprint data will be captured.
- Palm Prints and Mug Shots are NOT applicable.
- Once the data is captured and the transaction is complete, local printing of Fingerprint cards will take place.
- This transaction WILL NOT BE SUBMITTED to OSBI at the end of the transaction and the system shall not allow the user to send the transaction manually at any time.

5.0 Card Types

This section shows the different card types that the Livescan must be capable of printing.

5.1 Oklahoma Criminal Fingerprint Card Front

LEAVE BLANK	DTN	LAST NAME		FIRST NAME	MIDDLE NAME	ALIASES	
SIGNATURE OF PERSON FINGERPRINTED		DATE		CONTRIBUTOR OR			
SIGNATURE OF OFFICIAL TAKING FINGERPRINTS		CIRCLE ONE Felony or Misdemeanor		Crime Against Child			
CHARGE - ADDITIONAL CHARGES ON BACK (YES) or (NO)		F - M	Y - N	DATE ARRESTED OR RECEIVED	AGE	DATE OF BIRTH Month Day Year	
1		F - M	Y - N	SOCIAL SECURITY NO.		SEX	RACE
2		F - M	Y - N	HEIGHT	WEIGHT	EYES	
3		F - M	Y - N	ED NO.		CLASS	
FINAL DISPOSITION - CHARGE		OCA NO.		ALIEN REGISTRATION #		FBI NO.	
4		5		6		7	
1. R. THUMB		2. R. INDEX		3. R. MIDDLE		4. R. RING	
5. R. LITTLE		6. L. THUMB		7. L. INDEX		8. L. MIDDLE	
9. L. RING		10. L. LITTLE					

5.2 Oklahoma Criminal Fingerprint Card Back

ADDITIONAL CHARGES	CIRCLE ONE		FINAL DISPOSITION
	Felony or Misdemeanor	Crime Against Child	
	F - M	Y - N	4
	F - M	Y - N	5
	F - M	Y - N	6
	F - M	Y - N	7
	F - M	Y - N	8
	F - M	Y - N	9
	F - M	Y - N	10
EMPLOYER	JUVENILE FINGERPRINT SUBMISSION?	YES <input type="checkbox"/>	COUNTRY OF CITIZENSHIP
OCCUPATION	TREAT AS ADULT?	YES <input type="checkbox"/>	WARRANT #
RESIDENCE OF PERSON FINGERPRINTED	PHOTO AVAILABLE?	YES <input type="checkbox"/>	
SCARS, MARKS, TATTOOS, AND AMPUTATIONS	PALM PRINTS TAKEN?	YES <input type="checkbox"/>	ADDITIONAL INFORMATION (BASIS FOR CAUTION)
DATE OF OFFENSE			
MISC. NO.			

5.3 Oklahoma Filing Report Form

Filing Report Forms MUST BE automatically printed once booking is completed.

An Oklahoma Filing Report Form can be found at [https://www.ok.gov/osbi/Law Enforcement Programs/AFIS/](https://www.ok.gov/osbi/Law%20Enforcement%20Programs/AFIS/)

OKLAHOMA FILING REPORT

LEAVE BLANK	OTN 005530698R	LAST NAME SMITH, JOHN DOE	FIRST NAME	MIDDLE NAME	ALIASES A-SMITH, JAMES						
SIGNATURE OF PERSON FINGERPRINTED		DATE 20180727		CONTRIBUTOR ORI OKD380300 PD PONCA CITY, OK							
SIGNATURE OF OFFICIAL TAKING FINGERPRINTS		SELECT ONE									
		Felony or Misdemeanor	Crime Against Child								
CHARGE – ADDITIONAL CHARGES ON BACK (Yes) or (No)		F – M	Y – N	DATE ARRESTED OR RECEIVED	AGE	DATE OF BIRTH Month Day Year		PLACE OF BIRTH			
1 DUI		M	N	20180727		03	01	1972	TX		
2		F – M	Y – N	SOCIAL SECURITY NO		SEX	RACE	HEIGHT	WEIGHT	EYES	HAIR
3		F – M	Y – N	999-99-9999	M	W	508	195	BLU	BRO	
FINAL DISPOSITION – CHARGE		OCA NO.		SID NO.		CLASS					
1 REF TO MUN. PROSECUTOR		0123456789									
2											
3		ALIEN REGISTRATION #		FBI NO.							

LEAVE SECTION BELOW BLANK

FILING REPORT

Referred to District Attorney

FOR PROSECUTORS USE ONLY

Referred to Municipal Court

ORI	AGENCY NAME	DATE FILED	CASE NUMBER			
CHARGES		FELONY OR MISD. (F or M)	COUNTS	GENERAL OFFENSE CODE	CONTROLLED SUBSTANCE	DA DECLINES TO FILE
STATUTE / OFFENSE						
CHG 1						
CHG 2						
CHG 3						
CHG 4						
CHG 5						
CHG 6						
CHG 7						
CHG 8						
CHG 9						
CHG 10						

5.4 Oklahoma Disposition Report Form

Disposition Report Forms MUST BE automatically printed once booking is completed.

An Oklahoma Disposition Report Form can be found at <https://www.ok.gov/osbi/Law Enforcement Programs/AFIS/>

OKLAHOMA DISPOSITION REPORT

LEAVE BLANK	OTN 005530698R	LAST NAME SMITH, JOHN DOE	FIRST NAME	MIDDLE NAME	ALIASES A-SMITH, JAMES			
SIGNATURE OF PERSON FINGERPRINTED		DATE 20180727	CONTRIBUTOR ORI OK0360300 PD PONCA CITY, OK					
SIGNATURE OF OFFICIAL TAKING FINGERPRINTS		SELECT ONE						
		Felony or Misdemeanor F - M M	Crime Against Child Y - N N	DATE ARRESTED OR RECEIVED 20180727	AGE	DATE OF BIRTH Month Day Year 03 01 1972		PLACE OF BIRTH TX
CHARGE - ADDITIONAL CHARGES ON BACK (Yes) or (No) 1 DUI		F - M M	Y - N N					
2		F - M	Y - N	SOCIAL SECURITY NO 999-99-9999	SEX M	RACE W	HEIGHT 508	WEIGHT 195
3		F - M	Y - N					EYES BLU
								HAIR BRO
FINAL DISPOSITION - CHARGE 1 REF TO MUN. PROSECUTOR	OCA NO. 0123456789	SID NO.		CLASS				
2								
3	ALIEN REGISTRATION #	FBI NO.						

LEAVE SECTION BELOW BLANK

DISPOSITION REPORT

Referred to District Attorney

FOR PROSECUTORS USE ONLY

Referred to Municipal Court

ORI	AGENCY NAME						DISPOSITION DATE	CASE NUMBER
CHARGES AT CONVICTION	FELONY OR MISD. (F or M)	COUNTS	HEARING CODE	DISPOSITION CODE	PROVISION CODE	REASON CODE	SENTENCE	DOC SUP. (Y)
CHG 1								
CHG 2								
CHG 3								
CHG 4								
CHG 5								
CHG 6								
CHG 7								
CHG 8								
CHG 9								
CHG 10								

JUDGE: _____

PROSECUTOR: _____

F - FINE
D - DEFERRED
P - PRISON

R/L - LOCAL RESTITUTION
R/S - STATE RESTITUTION

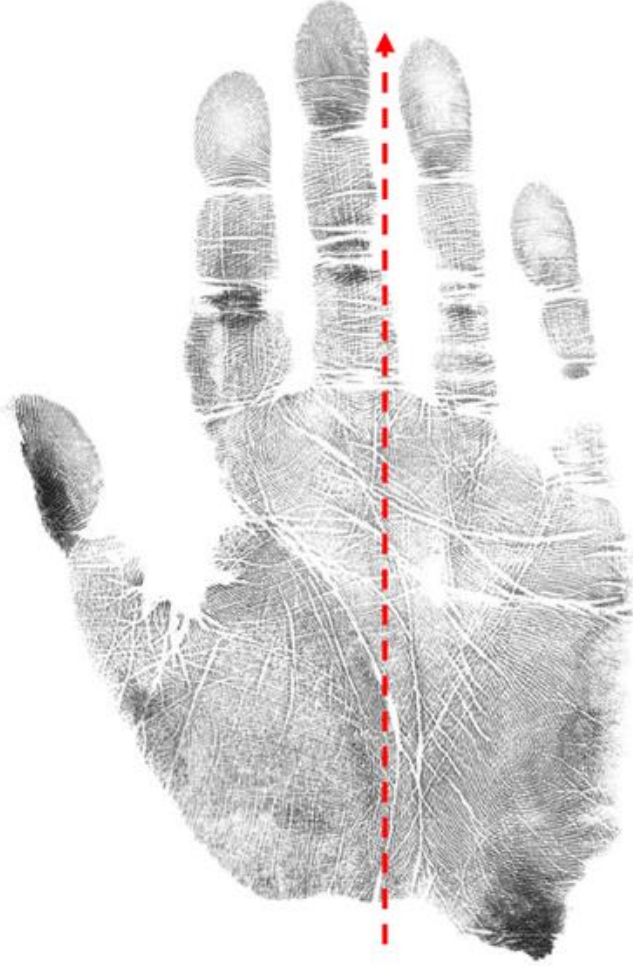

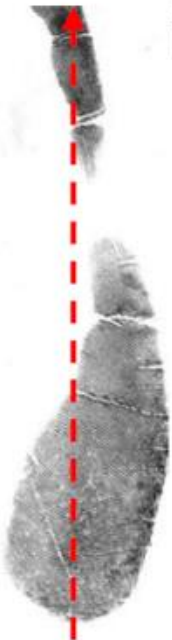
J - JAIL
S - SUSPENDED

5.5 Oklahoma Right Palm Print Form

This form will be produced when the "Print Palm" is selected from the Livescan device.

An Oklahoma Palm Print Form Specification can be found at [https://www.ok.gov/osbi/Law Enforcement Programs/AFIS/](https://www.ok.gov/osbi/Law_Enforcement_Programs/AFIS/)

OKLAHOMA STATE BUREAU OF INVESTIGATION RIGHT PALM PRINT FORM

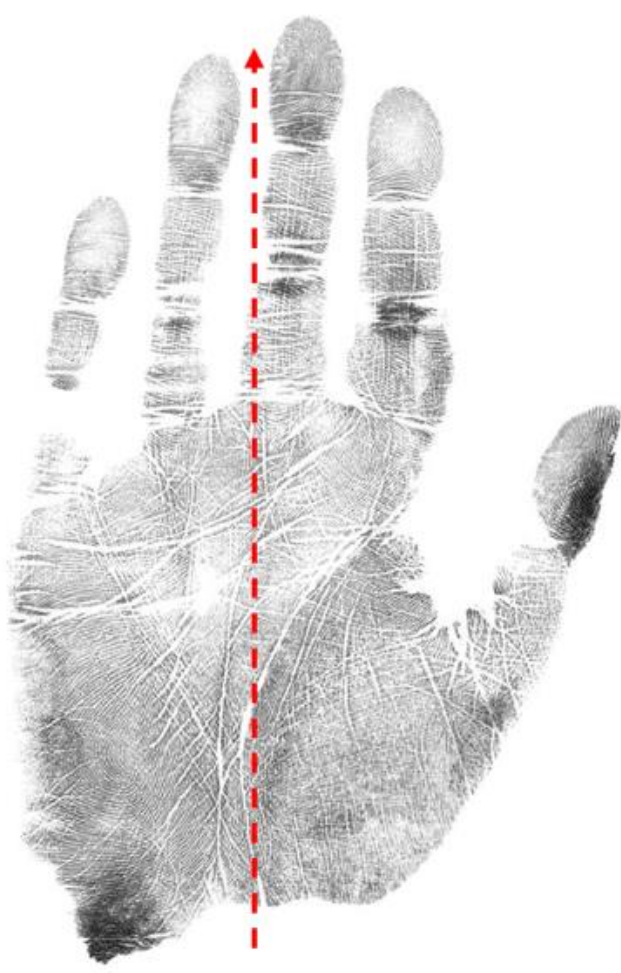


ORI #	LAST, FIRST MIDDLE NAME	RACE	SEX	DOB	OTN #	SID #
					RIGHT INDEX	
						
					WRITERS PALM	
						

5.6 Oklahoma Left Palm Print Form

This form will be produced when the "Print Palm" is selected from the Livescan device.

An Oklahoma Palm Print Form Specification can be found at [https://www.ok.gov/osbi/Law Enforcement Programs/AFIS/](https://www.ok.gov/osbi/Law_Enforcement_Programs/AFIS/)

OKLAHOMA STATE BUREAU OF INVESTIGATION LEFT PALM PRINT FORM

ORI #	LAST, FIRST MIDDLE NAME	RACE	SEX	DOB	OTN #	SID #
					LEFT INDEX	
						
					WRITERS PALM	
						

5.7 FBI Applicant Fingerprint Card Front

APPLICANT		LEAVE BLANK		TYPE OR PRINT ALL INFORMATION IN BLACK LAST NAME SIAM FIRST NAME MIDDLE NAME		LEAVE BLANK	
SIGNATURE OF PERSON FINGERPRINTED		IDENTITY AAA		O R I G I N A L	DATE OF BIRTH 008 Month Day Year		LEAVE BLANK
RESIDENCY OF PERSON FINGERPRINTED		CITIZENSHIP CTE			SEX	HAIR	
DATE	SIGNATURE OF OFFICIAL TAKING FINGERPRINTS		FOUR NO. 000A		CLASS		LEAVE BLANK
EMPLOYER AND ADDRESS		PB NO. (1)		AIR			
REASON FINGERPRINTED		ARMED FORCES NO. MSU					
		SOCIAL SECURITY NO. 000					
		INTELLIGENCE NO. MSU					
1. R. THUMB		2. R. INDEX		3. R. MIDDLE		4. R. RING	
5. R. LITTLE		6. L. THUMB		7. L. INDEX		8. L. MIDDLE	
9. L. RING		10. L. LITTLE					
LEFT FOUR FINGERS TAKEN SIMULTANEOUSLY		1. THUMB		4. THUMB		RIGHT FOUR FINGERS TAKEN SIMULTANEOUSLY	

5.8 OSBI Hit / No-Hit Response Form

Oklahoma State Bureau of Investigation AFIS Search "NO HIT" Response

Date: 12/18/2014 Time: 09:33

Search Packet Information:

TCN: 1450334346A Booking #: 000201406802

Subject Name: Smith, James

Search Response Information:

Based on the technical fingerprint information submitted to the OSBI on the above subject, the OSBI found no matching records at this time.

————— *End of AFIS Response* —————

Oklahoma State Bureau of Investigation AFIS Search "HIT" Response

Date: 12/18/2014 Time: 09:33

Search Packet Information:

TCN: 1450334346A Booking #: 000201406802

Subject Name: Smith, James

SID #: 12345678

Search Response Information:

Based on the technical fingerprint information submitted to the OSBI on the above subject, the OSBI found matching records.

————— *End of AFIS Response* —————

6.0 Mugshot – NIST Type 10

Mugshots are required for all Criminal Transactions.

Field 10.020 SUBJECT POSE is required. Please refer to ANSI/NIST-ITL (**section 1.3 References**) for the definition and values for field 10.020 POS.

OSBI Mug shot Interface Specifications (**section 1.3 References**).

7.0 Glossary of Terms

WSQ - Wavelet Scalar Quantization

NIST - National Institute of Standards and Technology

TCP/IP - Transmission Control Protocol / Internet Protocol

OSBI - Oklahoma State Bureau of Investigation

OTN - Offender Tracking Number

ASCII - American Standard for Computer Information Interchange

SID - State Identification Number

AFIS - Automated Fingerprint Identification System

IQS - Image Quality Specification

FBI - Federal Bureau of Investigation

TOT - Type Of Transaction

SMTP - Simple Mail Transfer Protocol

SMT - Scars, Marks, and Tattoos

8.0 OSBI Technical Contact Information

OSBI Management of Information Systems

6600 North Harvey

Oklahoma City, Oklahoma 73116

Phone: (405) 879-2977